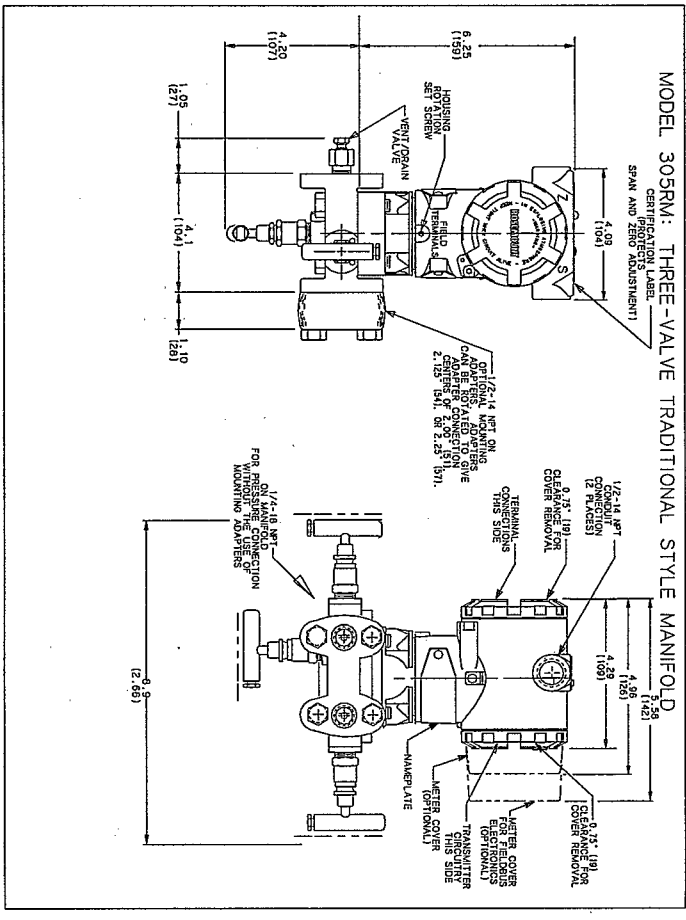
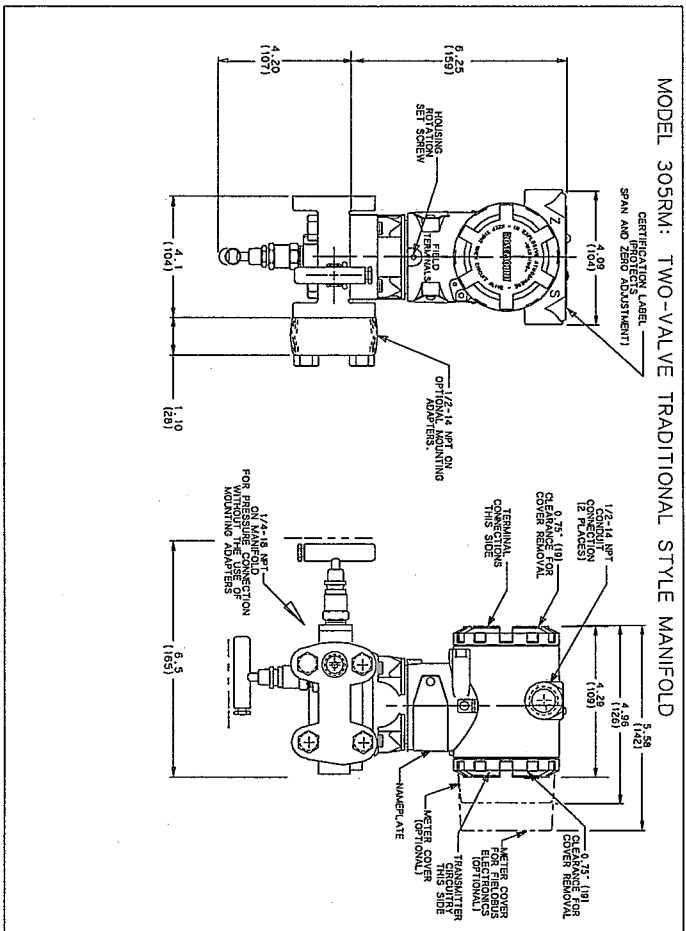


REVISIONS			
REV	DESCRIPTION	CHG. NO.	APP. ID. DATE
AA	INITIAL RELEASE	RTC 1008829	-



- ROSEMOUNT INC. CERTIFIES THIS DRAWING IS IN ACCORDANCE WITH ROSEMOUNT ENGINEERING SPECIFICATIONS AND ACCURATELY REPRESENTS THE EQUIPMENT FURNISHED.
- REFERENCE INSTRUCTION MANUAL FOR DETAIL INSTALLATION INFORMATION
- DIMENSIONS ARE IN INCHES. DIMENSIONS SHOWN IN PARENTHESES ARE IN MILLIMETERS.

THIS DRAWING WAS CREATED ON CAD. YELLUM MASTER IS NOT TO BE CHANGED. DRAWING IS ARCHIVED ON MAGNETIC TAPE FOR ECO CHANGES.
 FILE NAME: -

UNLESS OTHERWISE SPECIFIED DIMENSIONS IN INCHES		DR. JOHN ARMSTRONG		04/17/00	
-TOLERANCE-		APP'D. P. SUNDET		04/18/00	
DECIMALS	FRACTIONS	DRAWING		INSTALLATION DRAWING FOR	
.X ± .1	1/32	APP'D. TAGGING		MODEL 305RM INTEGRAL MANIFOLD	
.XX ± .02	ANGLES	SPECIALS		SIZE FSCM. NO. 04274	
.XXX ± .010	± 2°			DRAWING NO. 00305-3014	
DO NOT SCALE PRINT		SCALE: NONE		SHEET 1 OF 3	

ROSEMOUNT INC. CHANHASSEN, MINNESOTA

TABLE 1 MODEL 305RM TRADITIONAL STYLE INTEGRAL MANIFOLDS

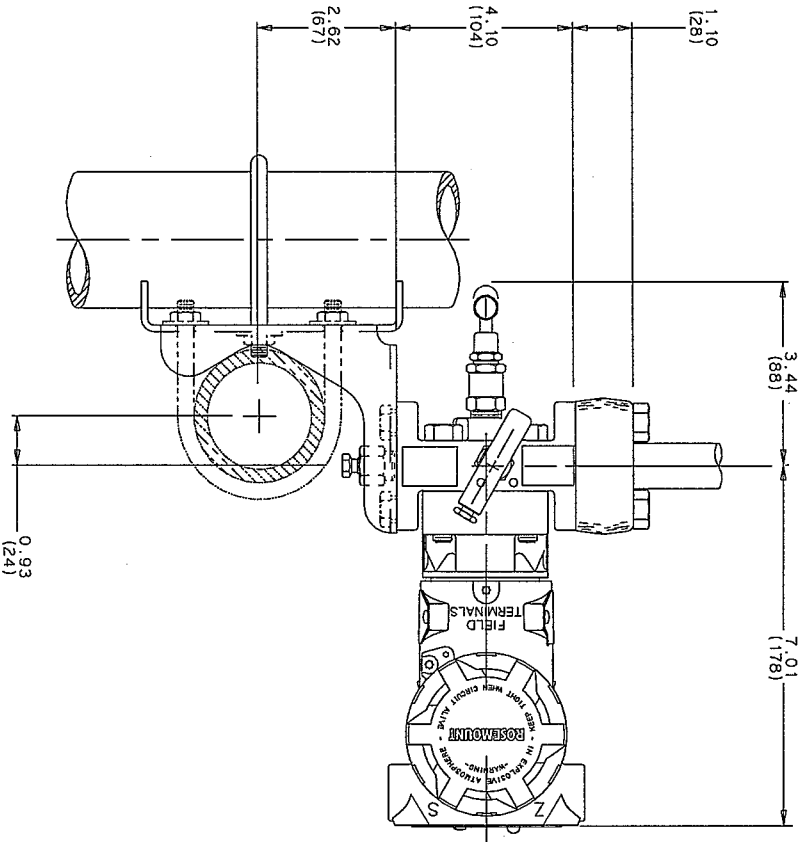
MODEL	INTEGRAL MANIFOLD
0305	INTEGRAL MANIFOLD
CODE	MANUFACTURER ROSEMOUNT INC.
R	MANIFOLD STYLE
CODE	TRADITIONAL-MODEL 3095-COMPATIBLE (DIN COMPLIANT FLANGE)
M	MANIFOLD TYPE
CODE	2-VALVE 3-VALVE
2	BODY
3	BONNET
CODE	STEM
2	316 SST
316 SST	316 SST
CODE	PROCESS CONNECTION
A	1/4-18 NPT
CODE	PACKING MATERIAL
1	TEFLON
2	GRAPHITE-BASED
CODE	VALVE SEAT
1	INTEGRAL
CODE	OPTIONS
B1	BRACKET FOR 2-IN. PIPE MOUNTING, CS BOLTS
B3	FLAT BRACKET FOR 2-IN. PIPE MOUNTING, CS BOLTS
B7	B1 BRACKET WITH SERIES 300 SST BOLTS
B9	B3 BRACKET WITH SERIES 300 SST BOLTS
BA	SST B1 BRACKET WITH SERIES 300 SST BOLTS
BC	SST B3 BRACKET WITH SERIES 300 SST BOLTS
L4	AUSTENITIC 316 SST BOLTS
L5	ASTM-A-193-B7M BOLTS
P2	CLEANING FOR SPECIAL SERVICES (NOT AVAILABLE WITH GRAPHITE BASED PACKING)
DF (1)	1/2-14 NPT FLANGE ADAPTERS, SST
SG(2)	MATERIALS OF CONSTRUCTION TO MEET NACE MATERIAL RECOMMENDATIONS PER MR 01-75
HK	10mm (M10) PROCESS FLANGE BOLTING CONNECTION
HL	12mm (M12) PROCESS FLANGE BOLTING CONNECTION

(1) NOT AVAILABLE WITH GRAPHITE BASED PACKING OR HK, HL OPTIONS.
 (2) 316SST BODY, BONNETS, AND STEMS; MONEL DRAIN VENTS

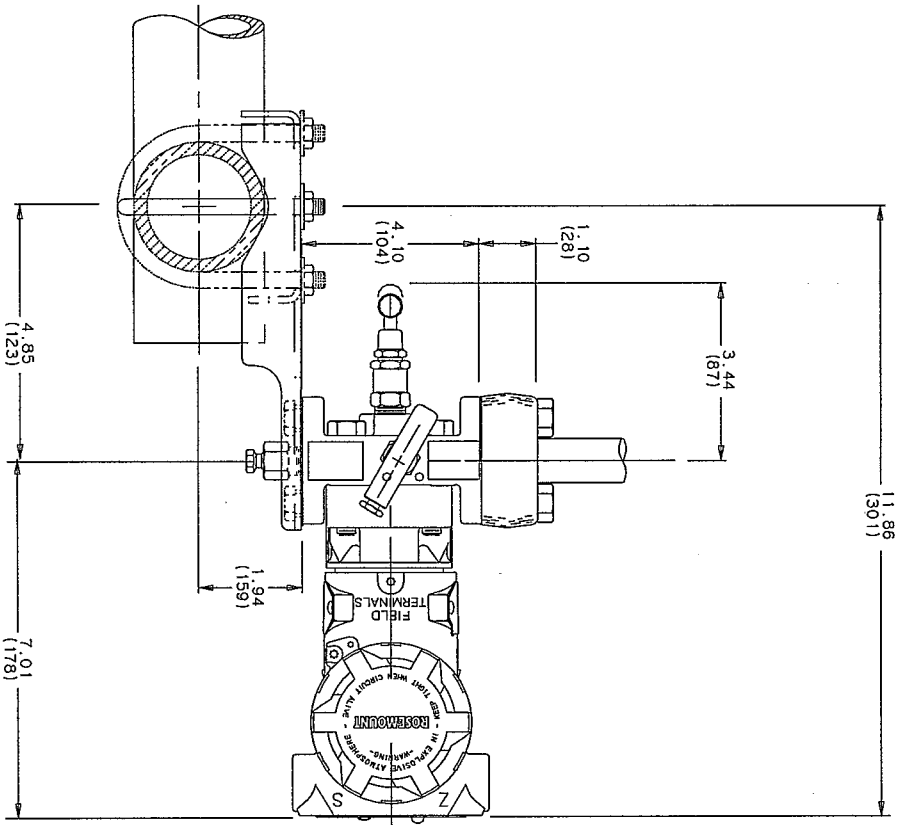
ROSEMOUNT[®] INC.
 MINNEAPOLIS, MINN.
 DR
 ISSUE

THIS DRAWING WAS CREATED ON CAD
 VELLUM MASTER IS NOT TO BE CHANGED
 DRAWING IS ARCHIVED ON MAGNETIC TAPE
 FOR ECO CHANGES.
 FILE NAME:
 SIZE FSQM NO. DRAWING NO. 00305-3014
 A 04274
 SCALE: WT. SHEET 2 OF 3

OPTION CODES B1, B7, BA
BRACKET FOR 2-IN. PIPE MOUNTING



OPTION CODES B3, B9, BC
FLAT BRACKET FOR 2-IN. PIPE MOUNTING



<p>ROSEMOUNT[®] INC. MINNEAPOLIS, MINN.</p>		<p>THIS DRAWING WAS CREATED ON CAD. VELLUM MASTER IS NOT TO BE CHANGED. DRAWING IS ARCHIVED ON MAGNETIC TAPE FOR ECO CHANGES. FILE NAME:</p>	
DR	SIZE	FORM NO.	DRAWING NO.
ISSUE	A	04274	00305-3014
SCALE:		WT.	SHEET 3 OF 3